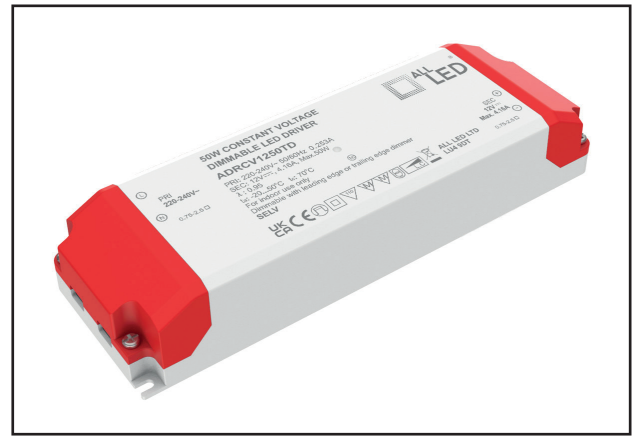


ADRCV1250TD

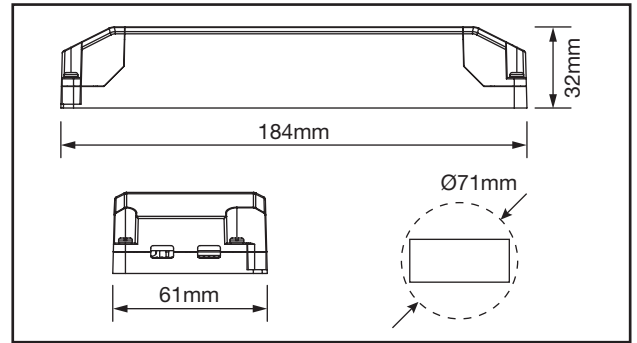
50W 12V DC Constant Voltage
Triac Dimmable LED Driver

Drive12



PRODUCT FEATURES

- Compatible With Trailing & Leading Edge Dimmers
- Tough Polycarbonate Body
- Loop-In - Loop-Out Design
- Large Terminals
- Overload Protection
- No Load Protection
- Short Circuit Protection
- Thermal Protection
- Overcurrent Protection



TECHNICAL SPECIFICATIONS

| PRODUCT CODE | ADRCV1250TD |
|-------------------------------------|--------------------|
| Operating Voltage | 220-240V AC |
| Operating Current (A max) | 0.253 |
| Max Output Power | 2.5 - 50W |
| Output Current (max) | 4.16A |
| Output Voltage | 12V DC |
| Power Factor | 0.95 |
| Efficiency % | 87% |
| No Load Power (W) | <0.5W |
| Class | II |
| Body Material | Polycarbonate |
| Frame Colour | White |
| Switching Cycles | 100,000 |
| Ingress Protection | IP20 |
| Ambient Operating Temperature (°C) | -20°C ~ +50°C |
| Input Frequency (Hz) | 50-60Hz |
| Guarantee | 5 Years |
| Dimmable | Yes |
| Dimming Mode (Trailing or Leading) | Trailing & Leading |
| Output Type | Constant Voltage |
| Lifetime | 50,000 Hrs |
| Start Up Time | <0.5s |
| Inrush Current A pk (TH & ms) | 20 (th=100µs) |

